



## AXIstorage Li 10S

High-performance lithium-ions-energy storage for residential, e-mobility and commercial applications

### Advantages:



10 kWh capacity



Flexible configuration:  
up to max. 1.440 kWh Off-Grid  
up to max. 480 kWh On-Grid



Permanent charging performance of up to 5 kW (90A)  
Permanent discharge performance of up to 8.1 kW (150A)



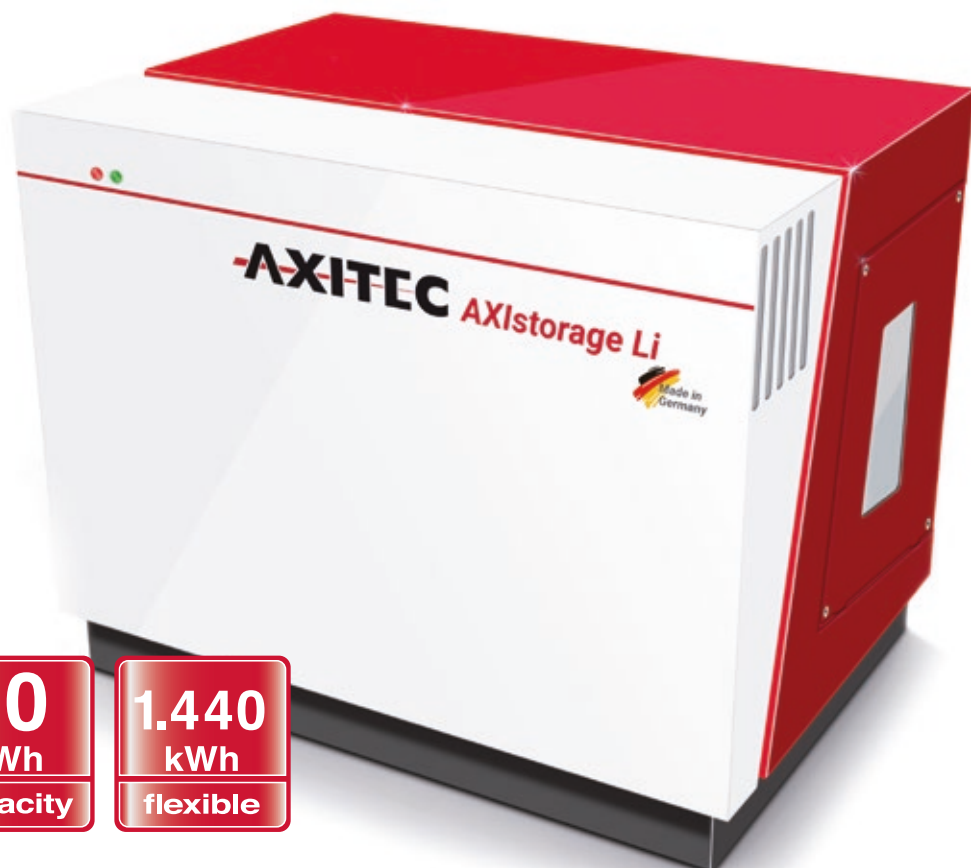
Up to 20 years of life time due to an optimized cooling system



10 years of time value replacement warranty



3 units stackable



**10**  
kWh  
capacity

**1.440**  
kWh  
flexible

# AXIstorage Li 10S

## Electrical Data

|                                    | SMA  |
|------------------------------------|--|
| Energy Storage Capacity            | 10 kWh   |
| Nominal Voltage                    | 54,0 V   |
| Nominal Capacity                   | 186,3 Ah                                       |
| Charging Power                     | up to 5 kW (90 A)                              |
| Discharging Power                  | up to 8,1 kW (150 A) + 300 A Peak (for 3 sec.) |
| DoD                                | ca. 80%  |
| Life Time                          | max. 40 MWh                                    |
| Efficiency                         | up to 97% (at 25°C)                            |
| Cooling                            | active fan                                     |
| Range of Temperature               | 0 - 45°C                                       |
| Max. Air Humidity (not condensing) | 85%  |
| BMS (Battery Management System)    | integrated                                     |

## Mechanical Data

|                               | SMA  |
|-------------------------------|--|
| Technology                    | Lithium (NCA)  |
| H x W x D                     | 536 x 675 x 475 mm   |
| Weight                        | 104 kg   |
| Protection Category           | IP21   |
| Certifications and Standards: | IEC62897Ed1, DIN EN50272-1/2, 61427-1/2, 61508, 62281, 60950-1, 62619 (draft standard), 62620, CE + UN38.3 |

## Safety

- Double wall housing
- Elevated construction to protect against water damage
- Monitoring of current, voltage and temperature
- Single cell monitoring
- State of charge determination and battery monitoring (SOC + SOH)
- Passive balancing

## Included in Delivery

- 50 mm<sup>2</sup> connecting cable, length 2 m
- NH disconnect (without NH-fuse)
- Integrated communication interface CAN, CANopen, Mod Bus, RS232, RS485

## Compatibility

- SMA Sunny Island: 4.4 / 6.0 / 8.0

## Accessories for System Expansion

- Master Unit for 2 to 12 storages used in parallel
- Optionally expandable with SMA Multicluster Box 6 / 12 / 36

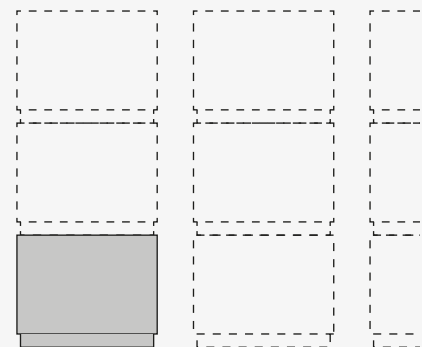
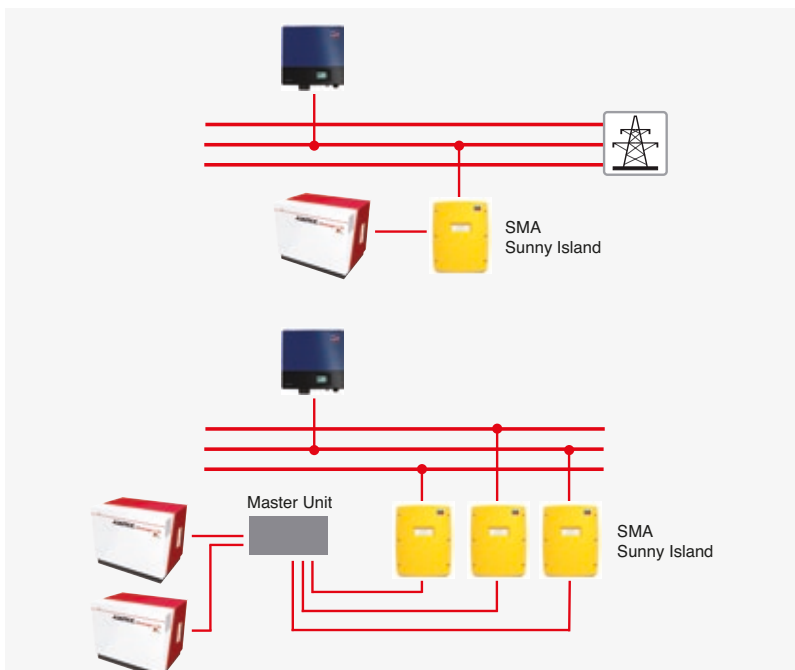


Fig. similar

flexibly expandable for 2 to 144 storages = 1.440 kWh