



www.axitecsolar.us

AXITEC[®]
high quality german solar brand

AXIstorage Li 9S Made in Germany

High-performance lithium-ions-energy storage for residential, e-mobility and commercial applications

Advantages:



8,5 kWh capacity



Flexible configuration:
up to max. 1.224 kWh Off-Grid
up to max. 408 kWh On-Grid



6.600 cycles due to high quality cell technology



Permanent charging performance of up to 6,5 kW (120A)
Permanent discharge performance of up to 8.3 kW (150A)



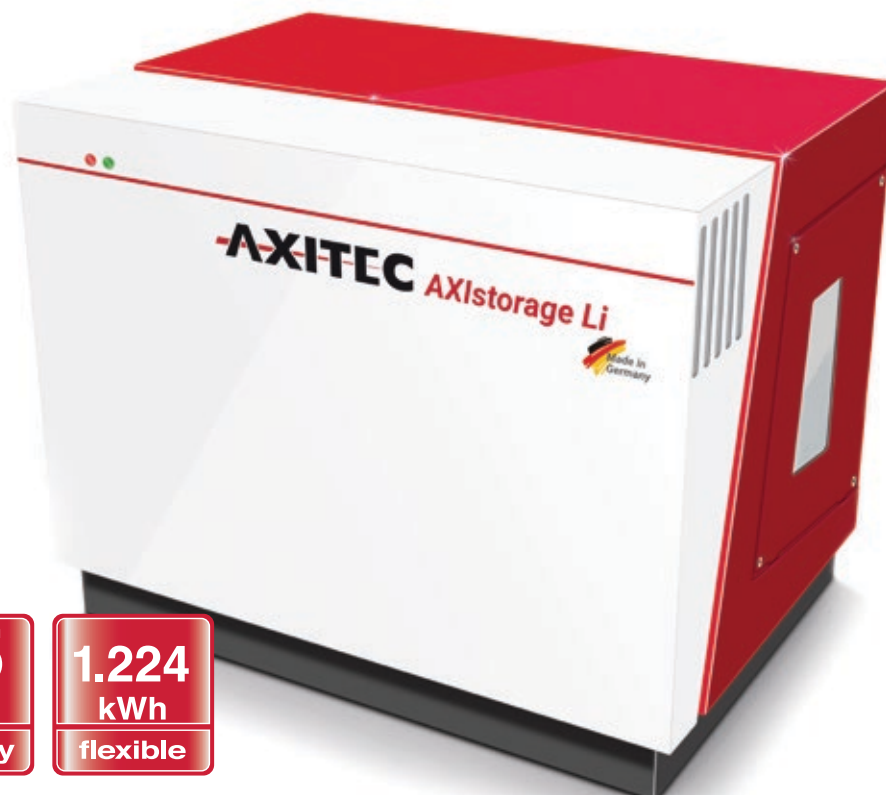
Up to 20 years of life time due to an optimized cooling system



10 years of time value replacement warranty



3 units stackable



6.600
charging
cycles

8.5
kWh
capacity

1.224
kWh
flexible

AXIstorage Li 9S

Electrical Data

	SMA
Energy Storage Capacity	8,5 kWh
Nominal Voltage	54,0 V
Nominal Capacity	156,5 Ah
Charging Power	up to 6,5 kW (120 A) + 150 A Peak (for 1 sec.)
Discharging Power	up to 8,3 kW (150 A) + 330 A Peak (for 1 sec.)
DoD	ca. 80%
Life Time	up to 20 years (25°C, max. 6.600 cycles)
Complete Cycles	6.600 (temperature 25°C)
Efficiency	up to 97% (at 25°C)
Cooling	active fan
Range of Temperature	0 - 45°C
Max. Air Humidity (not condensing)	85%
BMS (Battery Management System)	integrated

Mechanical Data

	SMA
Technology	Lithium (NMC)
H x W x D	536 x 675 x 475 mm
Weight	100 kg
Protection Category	IP21
Certifications and Standards:	
	IEC62897Ed1, DIN EN50272-1/2, 61427-1/2, 61508, 62281, 60950-1, 62619 (draft standard), 62620, CE + UN38.3

Safety

- Double wall housing
- Elevated construction to protect against water damage
- Monitoring of current, voltage and temperature
- Single cell monitoring
- State of charge determination and battery monitoring (SOC + SOH)
- Passive balancing

Included in Delivery

- 50 mm² connecting cable, length 2 m
- NH disconnect
- Integrated communication interface CAN, CANopen, Mod Bus, RS232, RS485

Compatibility

- SMA Sunny Island: 3.0 / 4.4 / 6.0 / 8.0

Accessories

- Patch Cable RJ45
- NH1 Fuse 80 - 200 A

Accessories for System Expansion

- Master Unit for 2 to 12 storages used in parallel
- Optionally expandable with SMA Multicluster Box 6 / 12 / 36

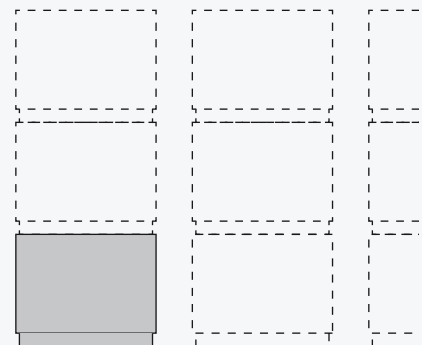
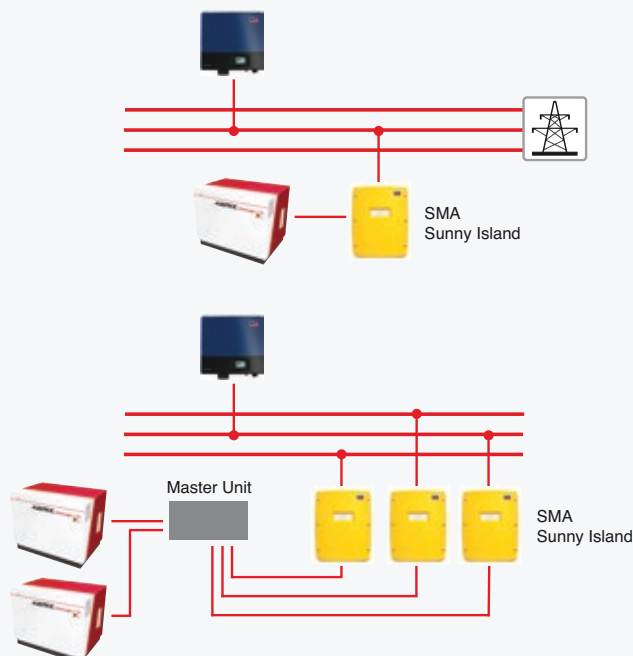


Fig. similar

flexibly expandable for 2 to 144 storages = 1.224 kWh